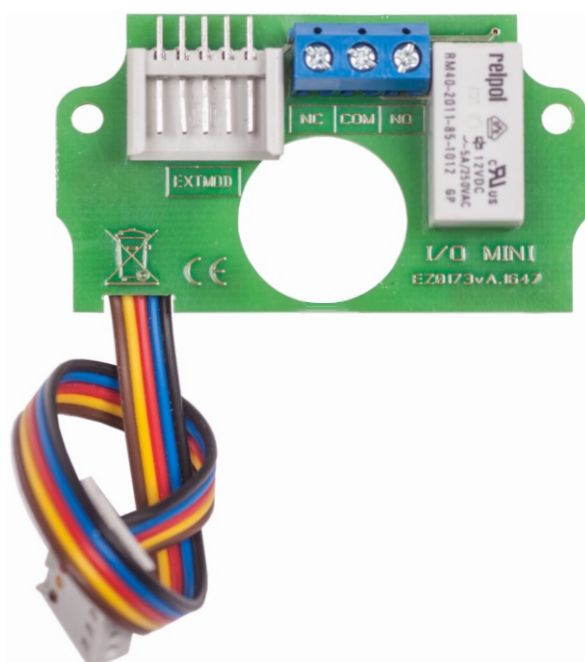


I/O MINI - Relay module for controlling home automation and external devices (e.g. entrance gate), to be mounted directly in the Familio P/PV panel

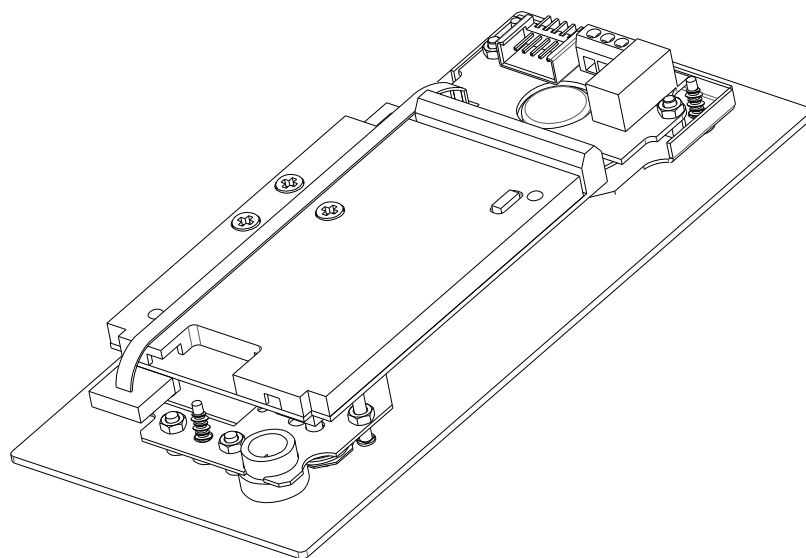
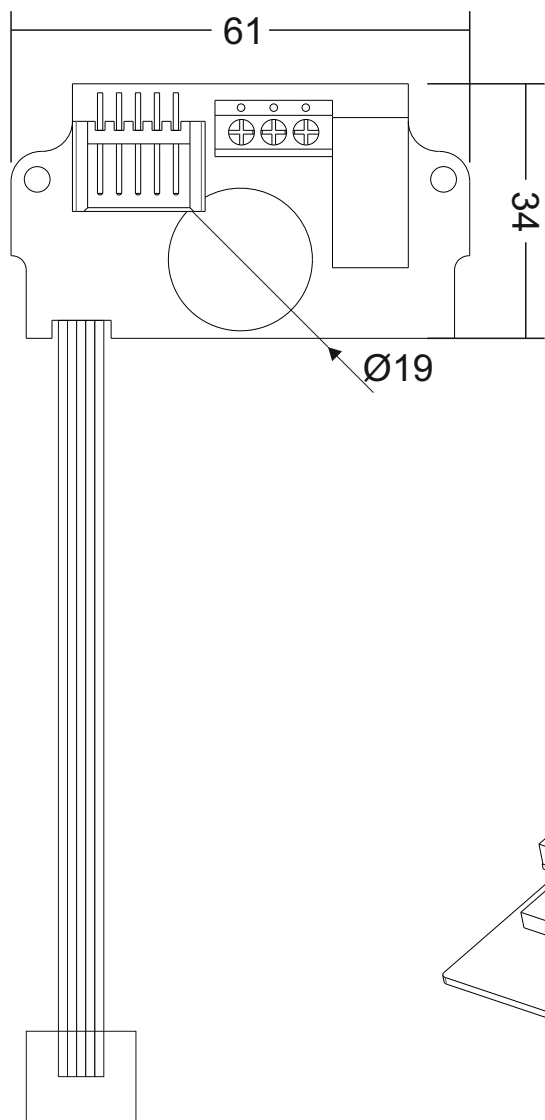


The module has a built-in relay that allows you to operate external devices and control home automation such as garage door, barrier, lighting, roller shutters. It extends functionality with a relay output. It is mounted directly in the panel housing (applies to surface and flush mounted panel versions). It has functions analogical to port 2 output of CDN-I/O module.

Compatible with digital panels from Familio P/PV groups.

Index	I/O MINI
Description	Relay module for controlling home automation and external devices to be mounted directly on the Familio P/PV panel
Material	Without housing
Mounting	Installed directly in the Familio P/PV panel
Installation type	-
Power supply	from panel (12 – 15 VDC / 50mA)
Standby power consumption	~0,06W
Outputs	ARK screw connections: - 1 x NO/NC relay, max. 5A,24VDC - 1 x EXTMOD connector (connection to panel)
Inputs	- 1 x EXTMOD connector (connection of other modules)
Attributes	- mounted directly on Familio P/PV surface-mounted and flush-mounted panels The output is programmable (CDN-USB optional): - type of function - output response time Output functions: - Activation of the output simultaneously with activation of the electric door strike (connected to the panel) - Activate the output after pressing F2 in the receiver or after selecting a code preceded by a double key - Activate the output by pressing any key on the panel Example application - enables control of home automation: e.g. entrance gate, barrier, lighting. - It enables to switch on the light after pressing any button on the panel (or automatically when opening the door). The module is compatible with devices from the Familio P/PV group.

KK0146enVA.2006



HOME AUTOMATION

